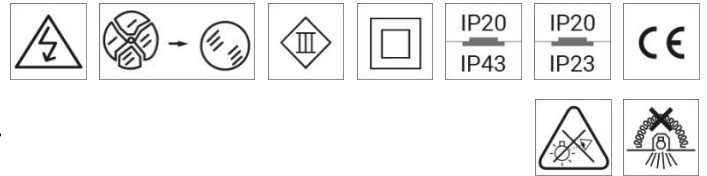


0371

RECESSED DOWNLIGHT



WARNING

ANY MODIFICATION TO THIS FITTING IS FORBIDDEN WITHOUT PRIOR AUTHORIZATION

Our policy is the constant improvement of the product. We reserve the right to modify the characteristics of the equipment without prior notice. Please refer to the website www.arcluce.it for this and other technical documents continually updated.

All information is presented in good faith. no responsibility may be imputed to us for errors, omissions or incorrect interpretations.

The photographs and drawings are within the limits of the quality of the printed reproduction, not binding and indicative only.



Directive 2002/96/CE (Waste Electrical and Electronic Equipment - WEEE). The crossed out wheeled bin label that this product should not be disposed how the normal household waste stream, but with a separate collection; this in order to prevent potential negative consequences for the environment and the human health. For more details on available collection facilities please contact your local government office or the dealer where you purchased this product.

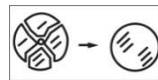
The safety and the proper functioning of the fitting is guaranteed only respecting the electrical Standards and this mounting instructions; therefore it's necessary to keep them.

Installation should be carried out by a suitable qualified person. Always refer to electrical data on the fixture label.

The light source contained in this luminaire shall only be replaced by the manufacturer or his service agent or a similar qualified person. Only use original ARCLUCE spare parts.



Turn off power before maintenance.



Replace any cracked shield.

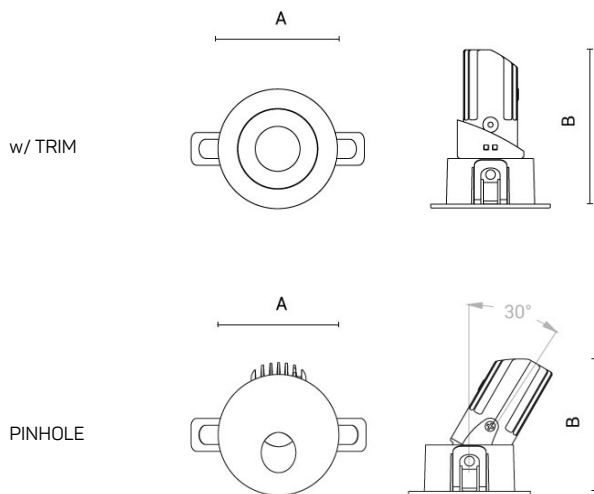


Risk group 2 (IEC/TR62778). Do not stare at operating LED.



Luminaires not suitable for covering with thermally insulating material.

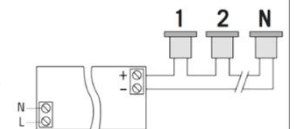
SPECIFICATIONS



MECHANICAL	w/TRIM	PINHOLE
Dimensions:	A: Ø75 mm B: 97 mm	A: Ø75 mm B: 80 mm
Weight:	0.25 Kg	
Rated Ta:	-20°C ÷ +25°C	
IP rating	IP20/IP43	IP20/IP23
ELECTRICAL		
Wiring:	ON/OFF	REM-D
Input:	220-240V 50/60Hz	700mA for 2W versions; 500 mA for 6W versions;
Electrical insulation class	II	III

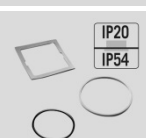


REM-D versions: This is a constant current fixture. It requires a series connection of fixtures to the driver.



ACCESSORIES

1099251X



IP20
IP54

Kit to enhance the IP rating from IP43 to IP54. To be ordered together with the luminaire.

INSTALLATION

1. Perform necessary cut-out in the false ceiling with correct dimensions.
2. Wire the fixture according to the diagram.
3. Hold the springs in upright position and slide fixture in the recessed cut-out.

1

CLEARANCE

A	20 cm
B	5 cm
C	5 cm
D	10 cm

Allowed ceiling thickness: 5-15mm

IP23 or IP43 Standard

IP54 Requires accessory 1099251X (only for version w/TRIM)

Ø 65 mm

The IP43-54 degree of protection is guaranteed provided that the device is installed in a completely closed false ceiling.

2

Turn off power. Do not pinch or damage the cable.

A ON/OFF

LINE - BROWN
NEUTRAL - BLUE

B REM-D

+ LED - WHITE
- LED - BLACK

REM-D versions: This is a constant current fixture. It requires a series connection of fixtures to the driver.

Connect the fixture to the driver before supplying the power.

The cable connection must have an IP rating at least equal or higher than the fixture itself.

If the external flexible cable or cord of this luminaire is damaged, it shall be exclusively replaced by the manufacturer or his service agent or a similar qualified person in order to avoid a hazard.

